

FICHE TECHNIQUE

CALE

Groupe
18-03-05-00

Exemple



Données client

Type machine :

Demande de prix

No. série machine :

Commande

CODE : TY x D1 x D2 x S x MAT

TY..... Type :

SH = bague

VL = cale

CV = joint

D1 Diamètre intérieur (mm)

D2 Diamètre extérieur (mm)

S..... Épaisseur (mm)

MAT..... Material :

AL = aluminium

BR = bronze

CU = cuivre

FI = fibre

IX = inox

KS = plastique

M = métal

MS = messing

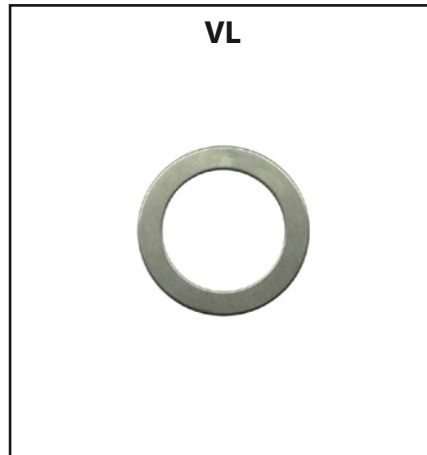
NY = nylon

RB = caoutchouc

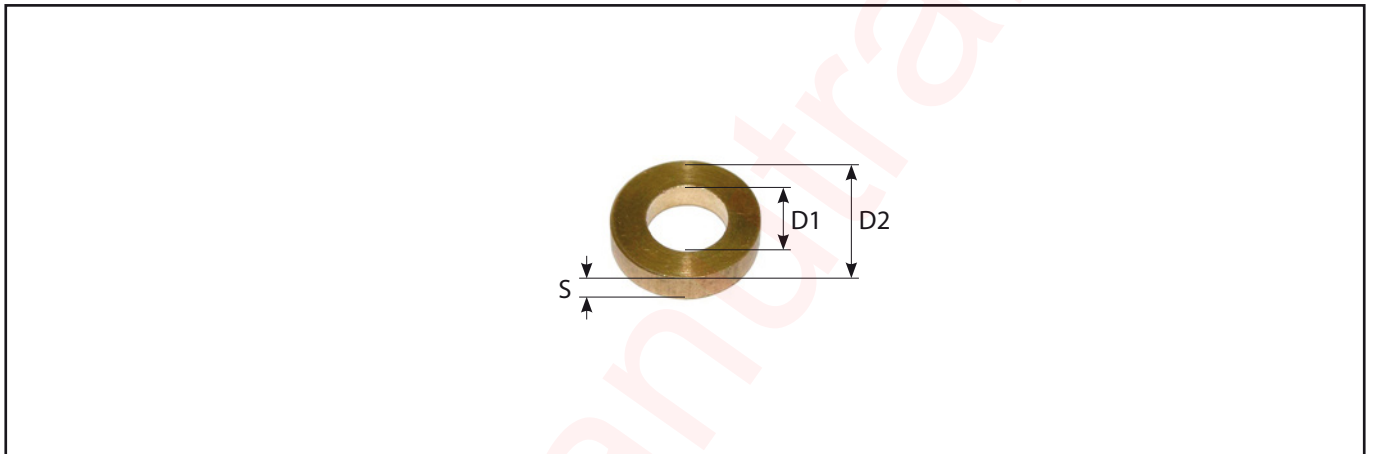
TF = téflon

EPRATEX = epratex

TYPES



DIMENSIONS



TECHNICAL SHEET

SHIM

Group
18-03-05-00

Example



Customer details

Type machine:

Price inquiry

Serial n° machine:

Order

CODE: TY x D1 x D2 x S x MAT

TY..... Type:
SH = shim
VL = washer
CV = body washer

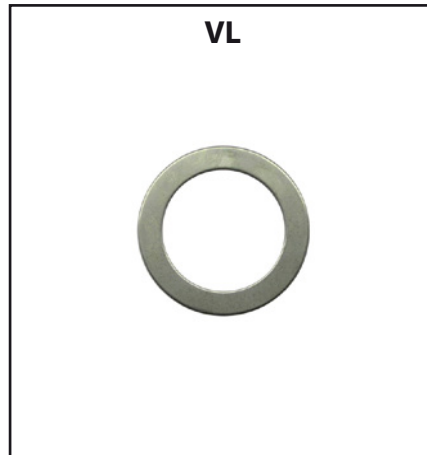
D1 Inner diameter (mm).

D2 Outer diameter (mm).

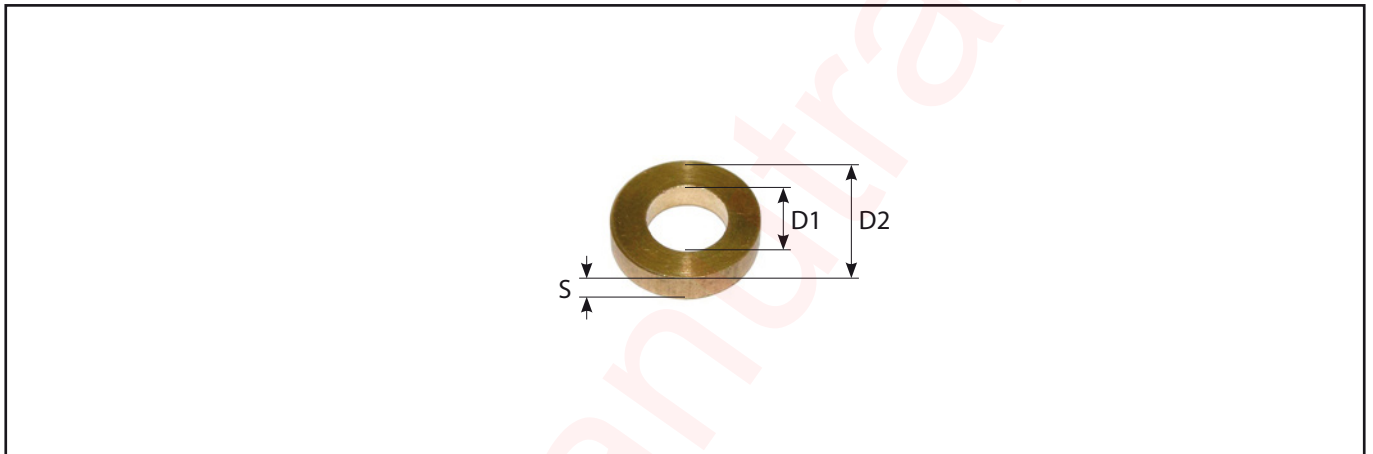
S..... Thickness (mm).

MAT..... Material:
AL = aluminium
BR = bronze
CU = copper
FI = fiber
IX = stainless steel
KS = plastic
M = metal
MS = brass
NY = nylon
RB = rubber
TF = teflon
EPRATEX = epratex

TYPES



DIMENSIONS



TECHNISCHES DATENBLATT

SCHEIBE

Gruppe

18-03-05-00

Beispiel



Kundendaten

Maschinentyp:

Preis-anfrage

Serien-Nr. Maschine:

Bestellung

CODE: TY x D1 x D2 x S x MAT

TY..... Typ:

SH = Distanzring

VL = Scheibe

CV = Unterlegscheibe

D1 Innendurchmesser (mm).

D2 Aussendurchmesser (mm).

S Stärke (mm).

MAT..... Material:

AL = Aluminium

BR = Bronze

CU = Kupfer

FI = Fiberglas

IX = Rostfreies Stahl

KS = Kunststoff

M = Metall

MS = Messing

NY = Nylon

RB = Gummi

TF = Teflon

EPRATEX = Epratex



MANUTRANS SA

Fournitures pour engins de manutention

Manutrans SA
Avenue de Lucens 44
CH-1510 Moudon

Tél : +41 21 781 27 77
Fax : +41 21 781 27 79
info@manutrans.ch

TYPEN



ABMESSUNGEN

